

EISEKO
Software for building

&

DMA
PROGETTI
structural engineering

present the



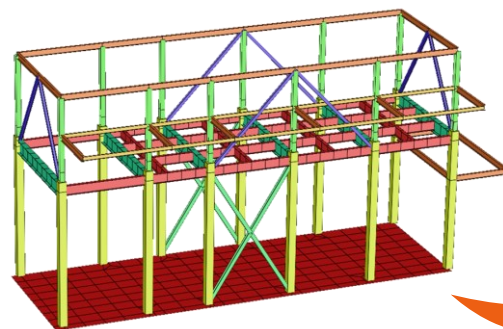
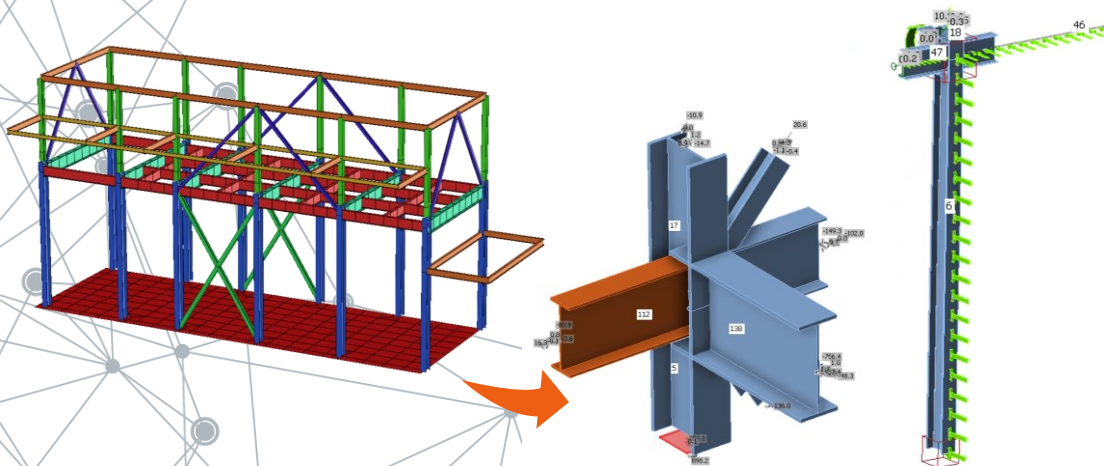
BIM link Strand7

IDEA Steel

IDEA Concrete

 *Connection*  *Member*

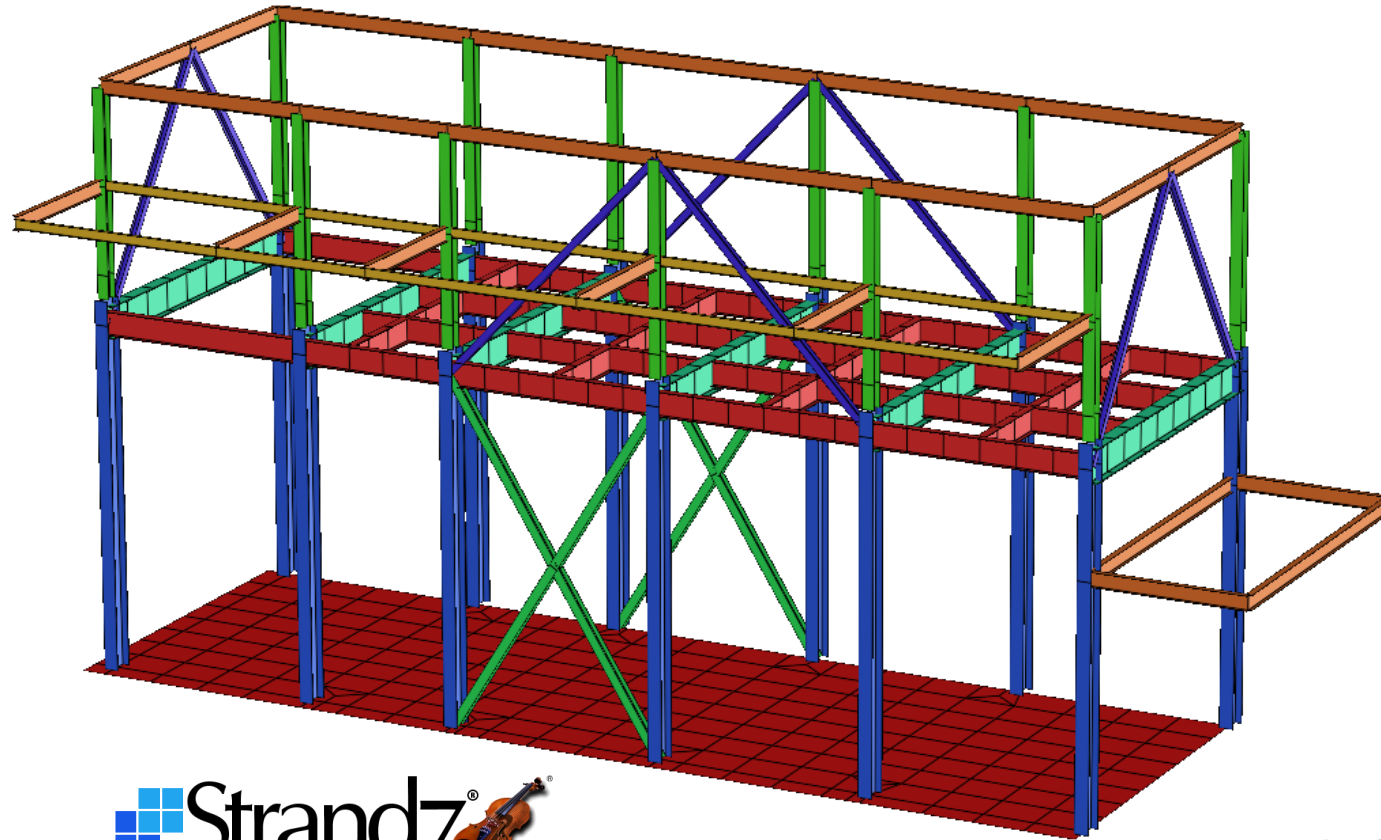
 *Member*



Link your Strand7 software and extend your workflows



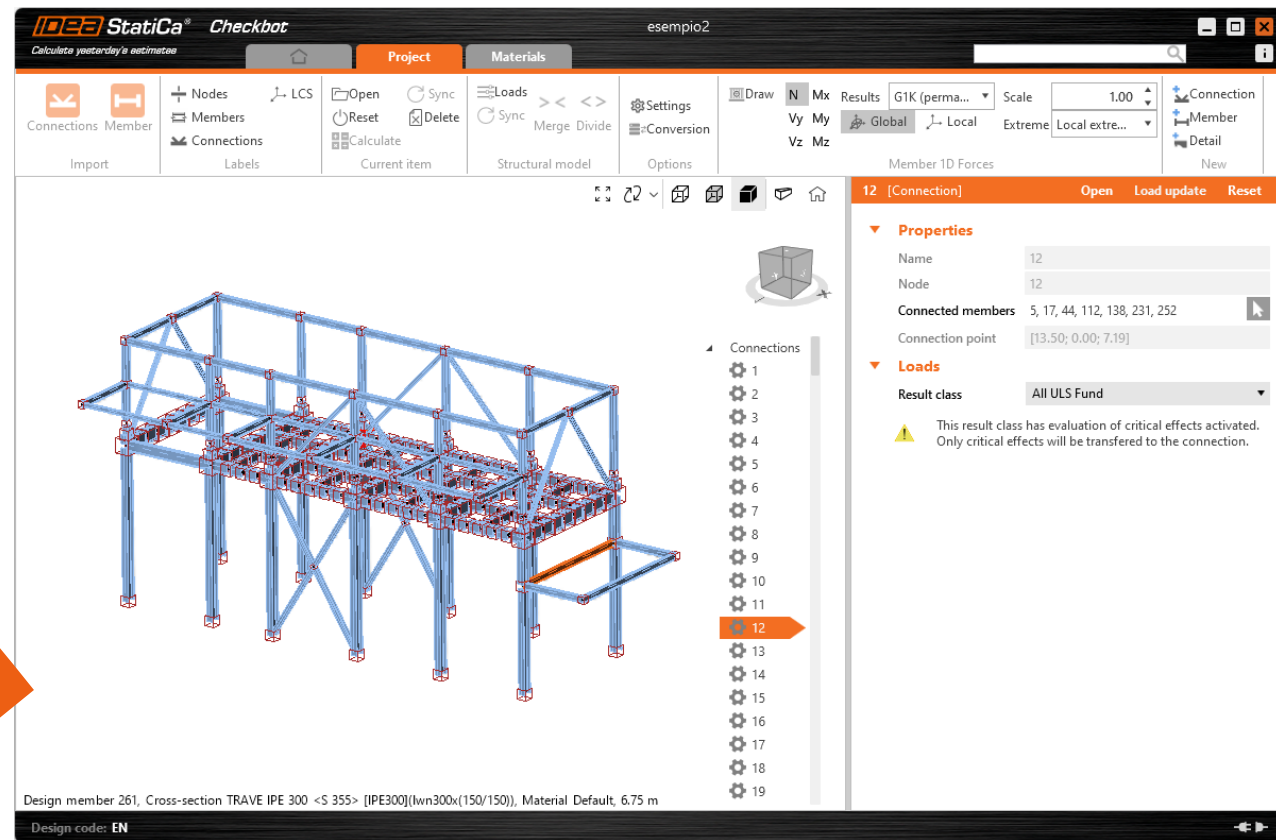
Steel Structure



Design the Steel structure in Strand7

BIM Link Strand7- IDEA StatiCa

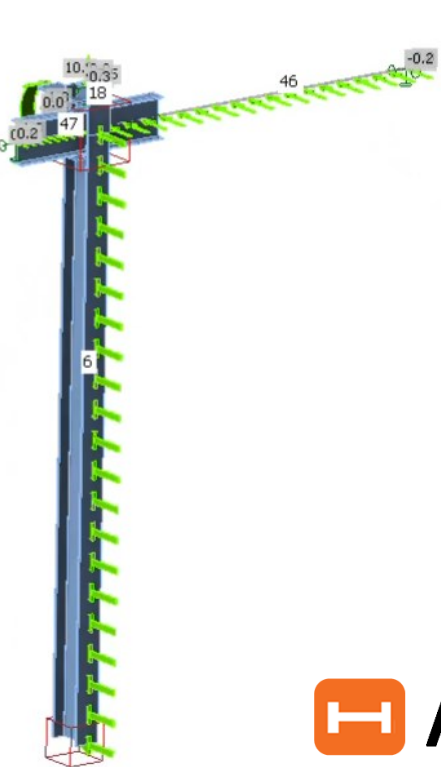
Steel Structure



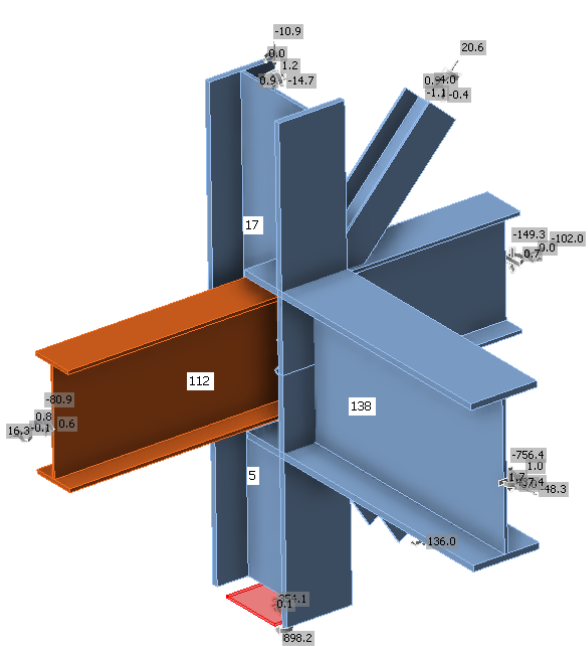
Via BIM Link Strand7 export the structure in IDEA Checkbot

BIM Link Strand7- IDEA StatiCa

Steel Structure



- Analized members
 - 6
- Related members
 - 18
 - 46
 - 47
 - 201
- Load
 - ULS
 - CMB_SLU-Q1 (insilato)
 - CMB_Q3k (vento Y)
 - CMB_Q1k (insilato)
 - CMB_SLV- vento Y
 - CMB_Q4k (neve)
 - CMB_Q2k(acc. copertura)
 - CMB_SLU-vento X
 - CMB_Q3k (vento X)
- Connections
 - 6
 - 13
- Operations



- 12
- Members
 - 5
 - 17
 - 44
 - 112
 - 138
 - 231
 - 252
- Load effects
 - CMB_SLU-Q1 (insilat...
 - CMB_Q3k (vento Y)(2)
 - CMB_SLU-vento X(3)
 - CMB_Q4k (neve)(4)
 - CMB_SLV-X(5)
 - CMB_G1K (perman...
 - CMB_Q1k (insilato)(7)
 - CMB_Q2k(acc. cope...
 - CMB_Q3k (vento X)(8)
 - CMB_SLV- vento Y(10)
- Operations

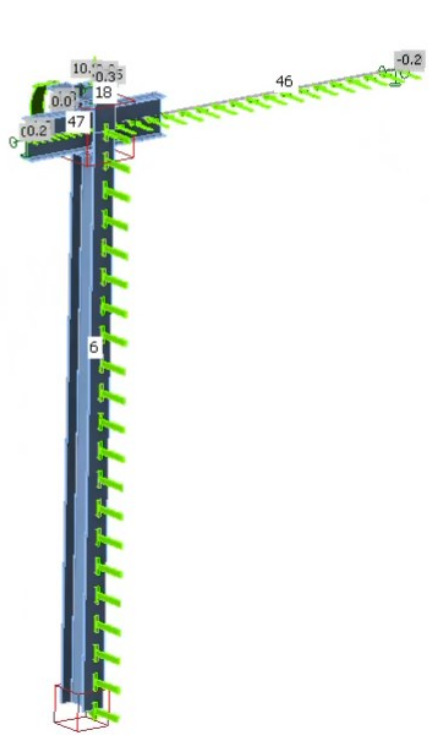
 **Member**

 **Connection**

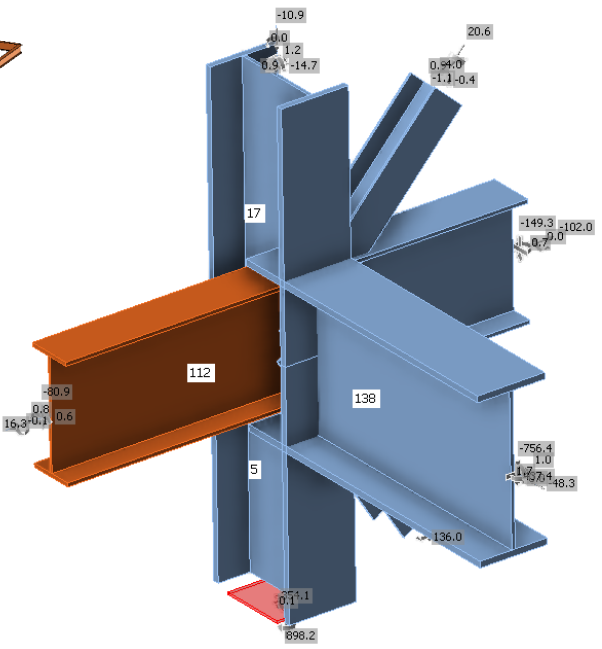
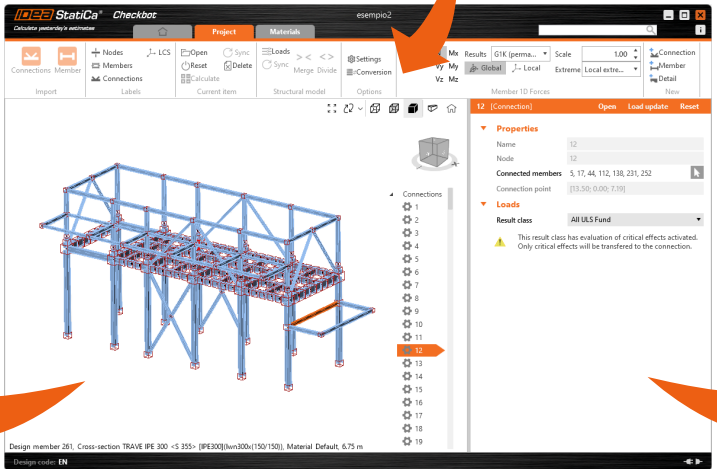
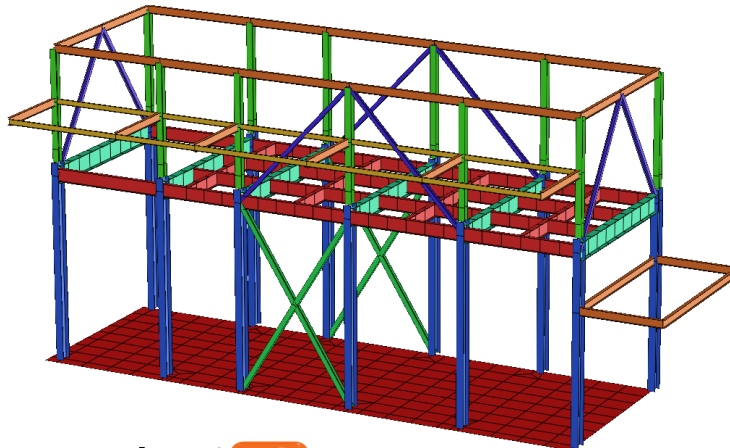
analyzes all load combinations in Member and Connection

BIM Link Strand7- IDEA StatiCa

Steel Structure



- 4 Analyzed members
 - 6
- 4 Related members
 - 18
 - 46
 - 47
 - 201
- 4 Load
 - 4 ULS
 - CMB_SLU-Q1 (insilato)
 - CMB_Q3k (vento Y)
 - CMB_Q1k (insilato)
 - CMB_SLV-vento Y
 - CMB_Q4k (neve)
 - CMB_Q2k (acc. copertura)
 - CMB_SLU-vento X
 - CMB_Q3k (vento X)
- 4 Connections
 - 6
 - 13
- Operations



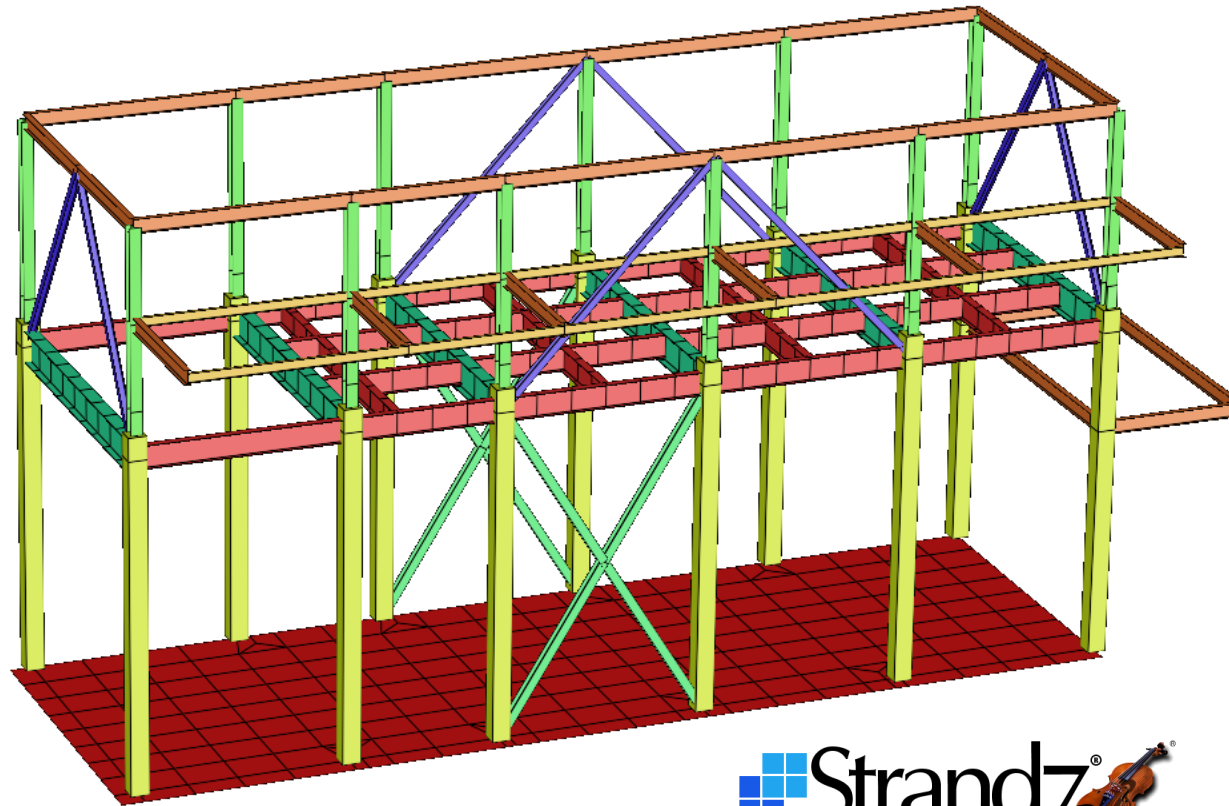
- 4 12
 - 4 Members
 - 5
 - 17
 - 44
 - 112
 - 138
 - 231
 - 252
 - 4 Load effects
 - CMB_SLU-Q1 (insilat...
 - CMB_Q3k (vento Y)(2)
 - CMB_SLU-vento X(3)
 - CMB_Q4k (neve)(4)
 - CMB_SLV-X(5)
 - CMB_G1K (perman...
 - CMB_Q1k (insilato)(7)
 - CMB_Q2k (acc. cope...
 - CMB_Q3k (vento X)(8)
 - CMB_SLV-vento Y(10)
- Operations

 **Member**

 **Connection**

BIM Link Strand7- IDEA StatiCa

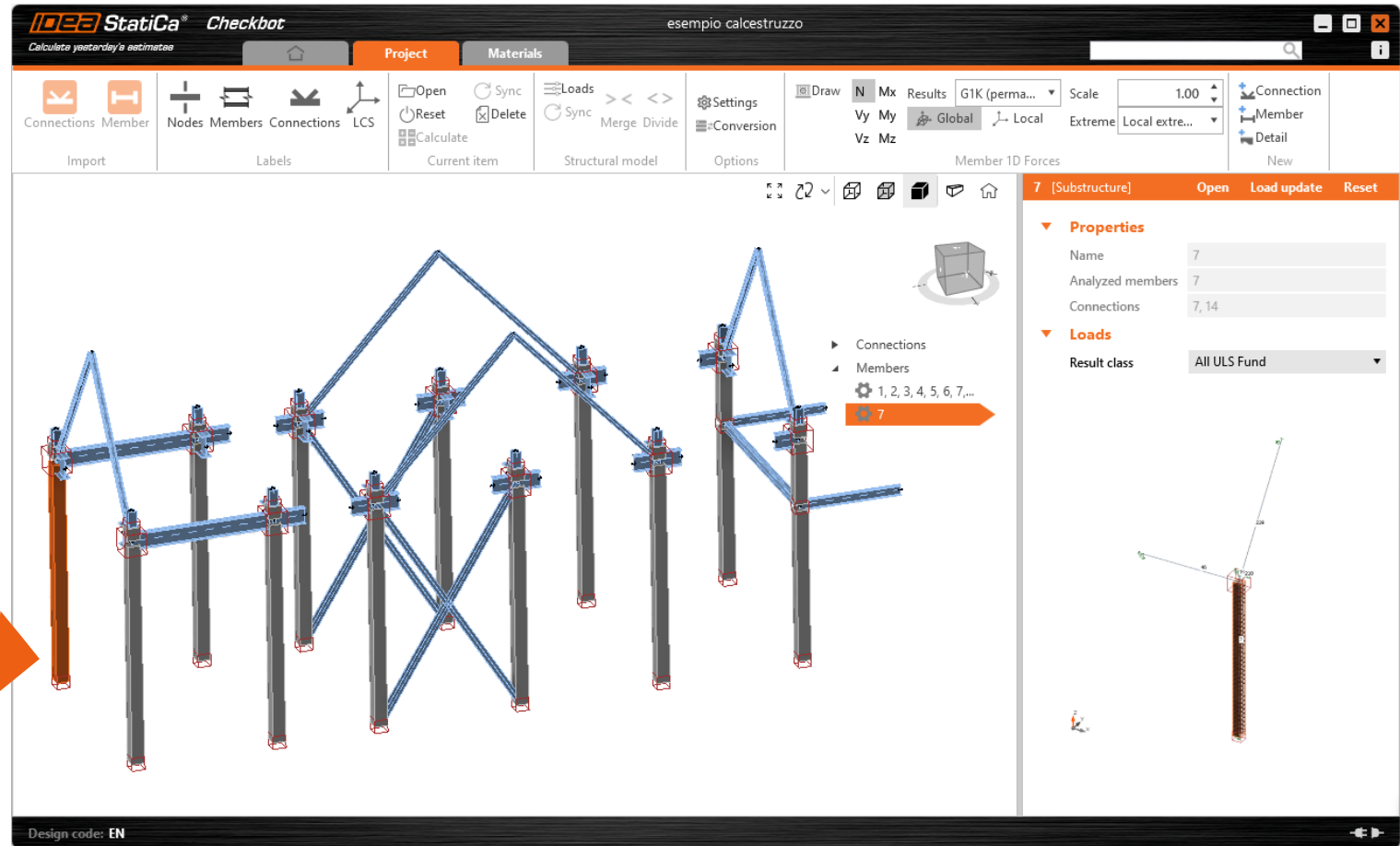
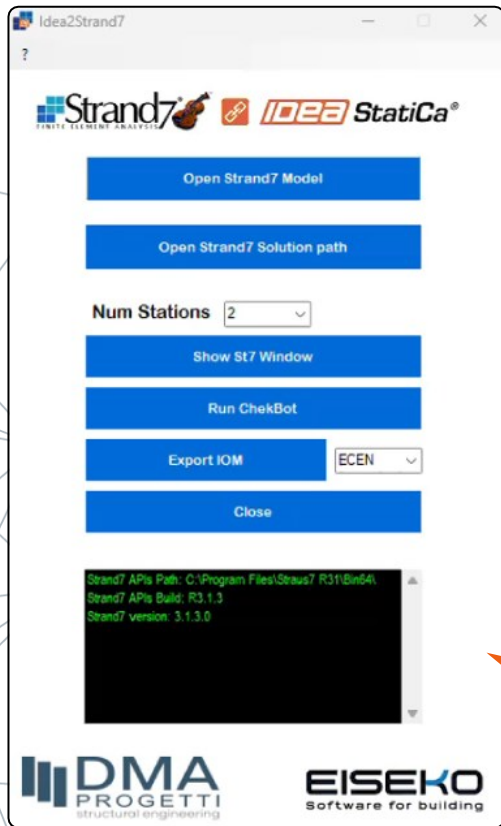
Concrete Structure



Design the Concrete structure in Strand7

BIM Link Strand7- IDEA StatiCa

Concrete Structure

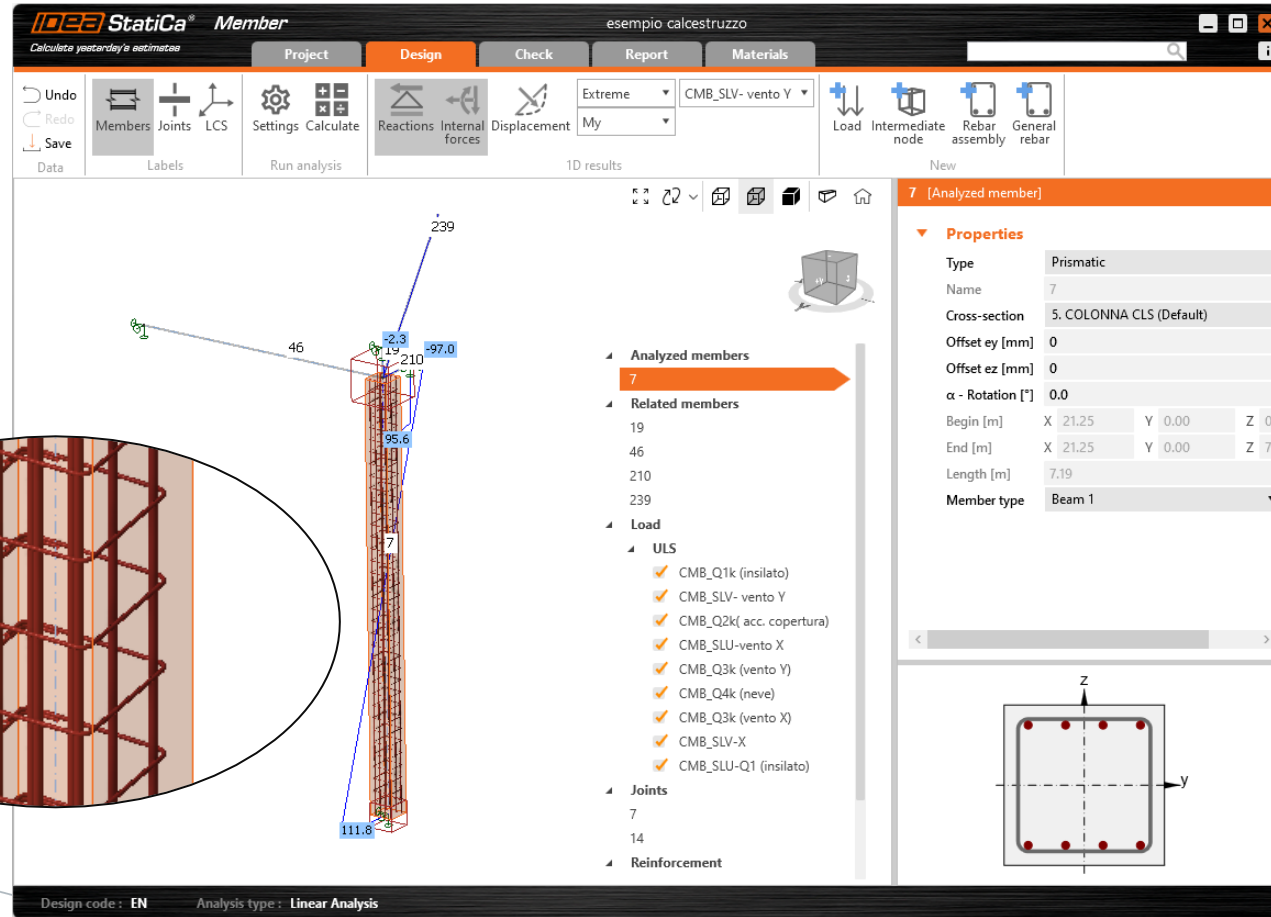


Via BIM Link Strand7 export the structure in IDEA Checkbot

BIM Link Strand7- IDEA StatiCa

Concrete Structure

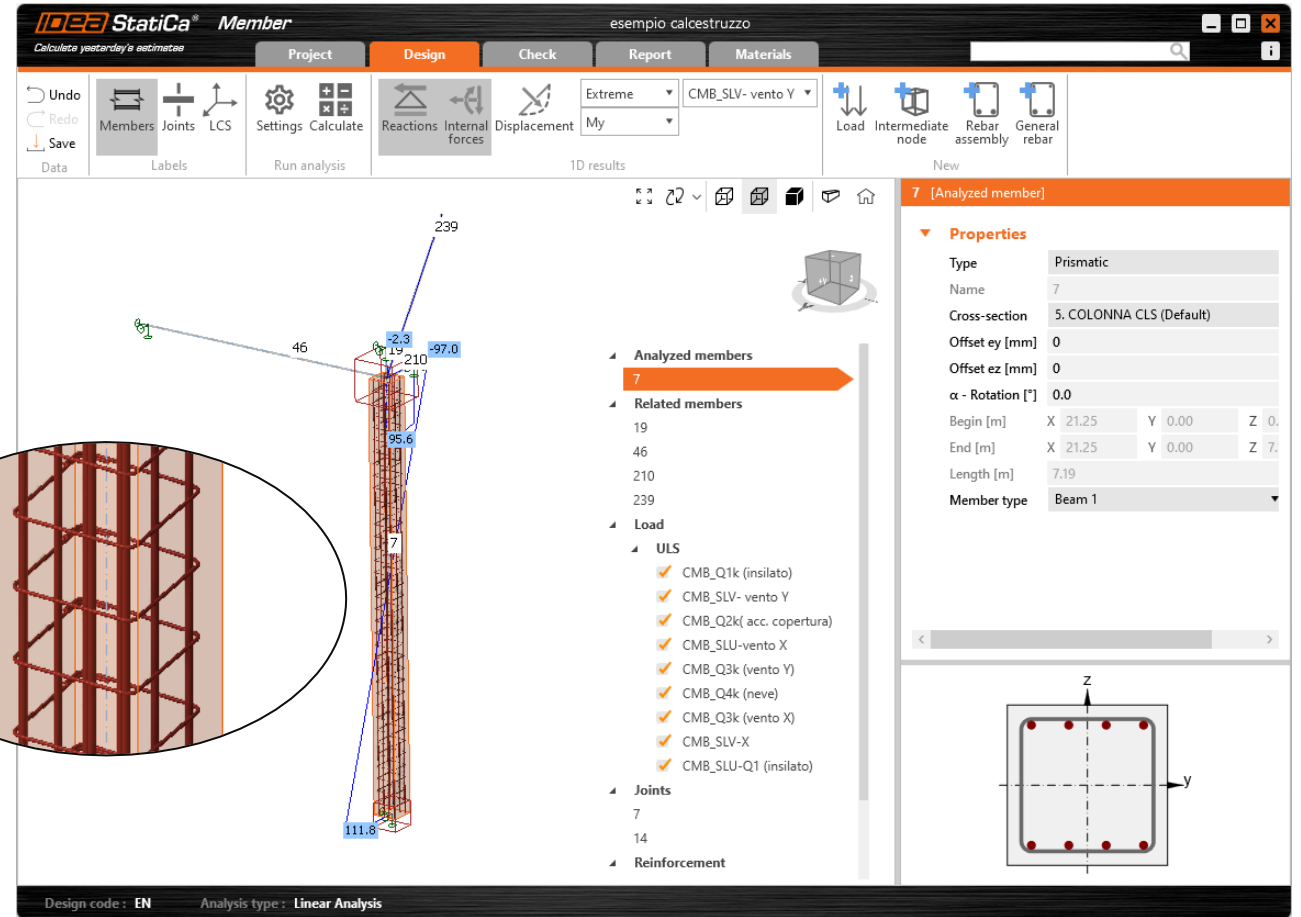
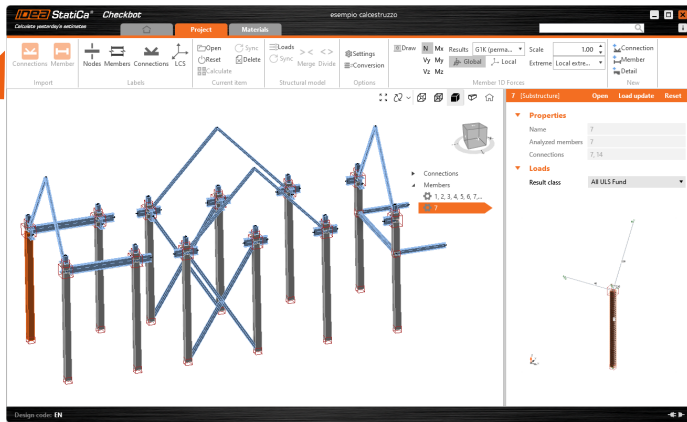
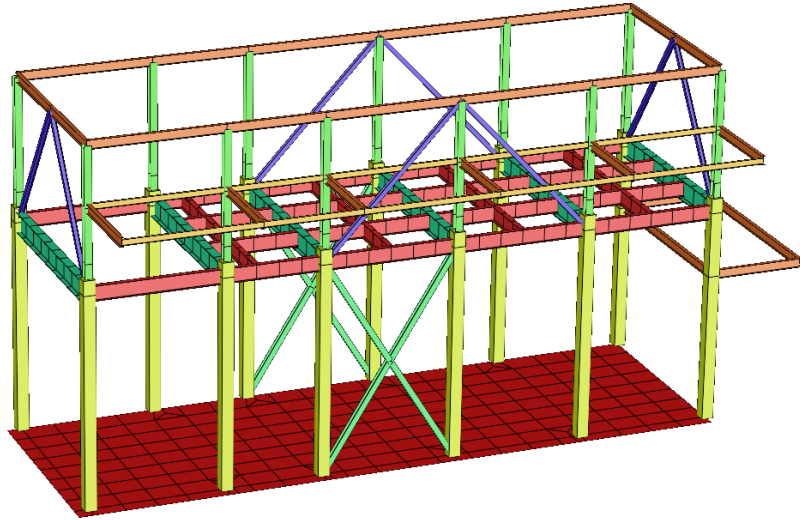
 **Member**



analyzes all load combinations in Member

BIM Link Strand7- IDEA StatiCa

Concrete Structure



BIM Link Strand7- IDEA StatiCa

CONTACT US FOR MORE INFO

EISEKO
Software for building

IDEA StatiCa[®]
Authorised Reseller

EISEKO COMPUTERS

www.eiseko.it

idea@eiseko.it

BIM Link Strand7- IDEA StatiCa